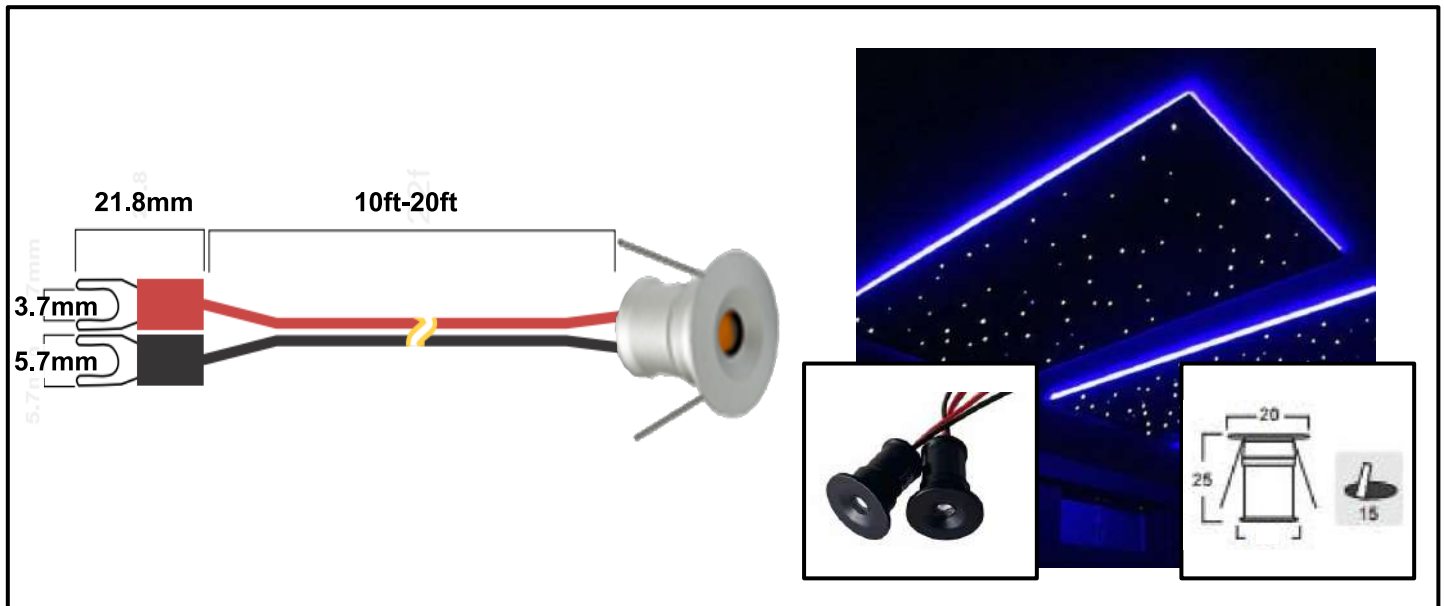
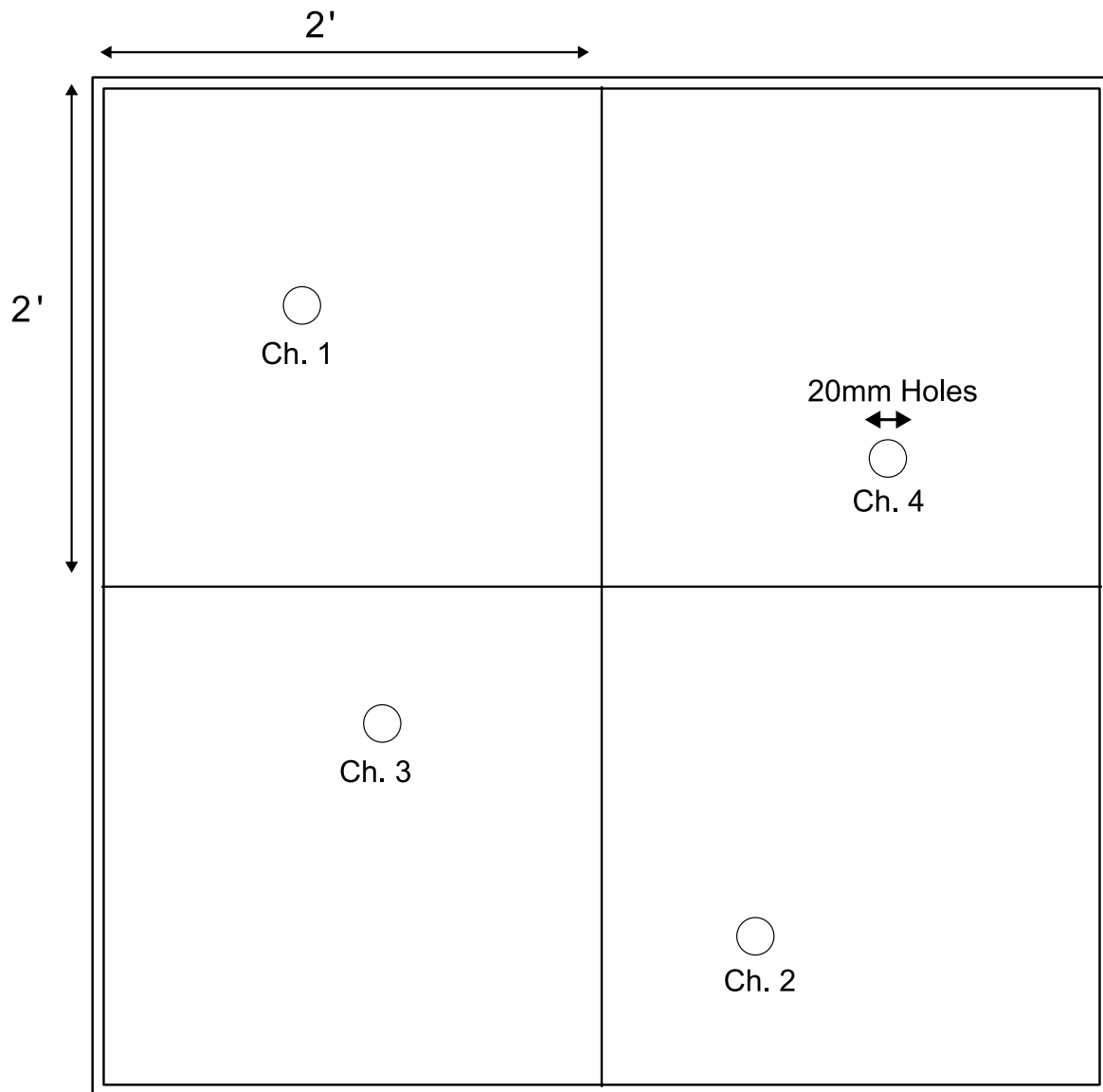


Star Pin Light Specifications



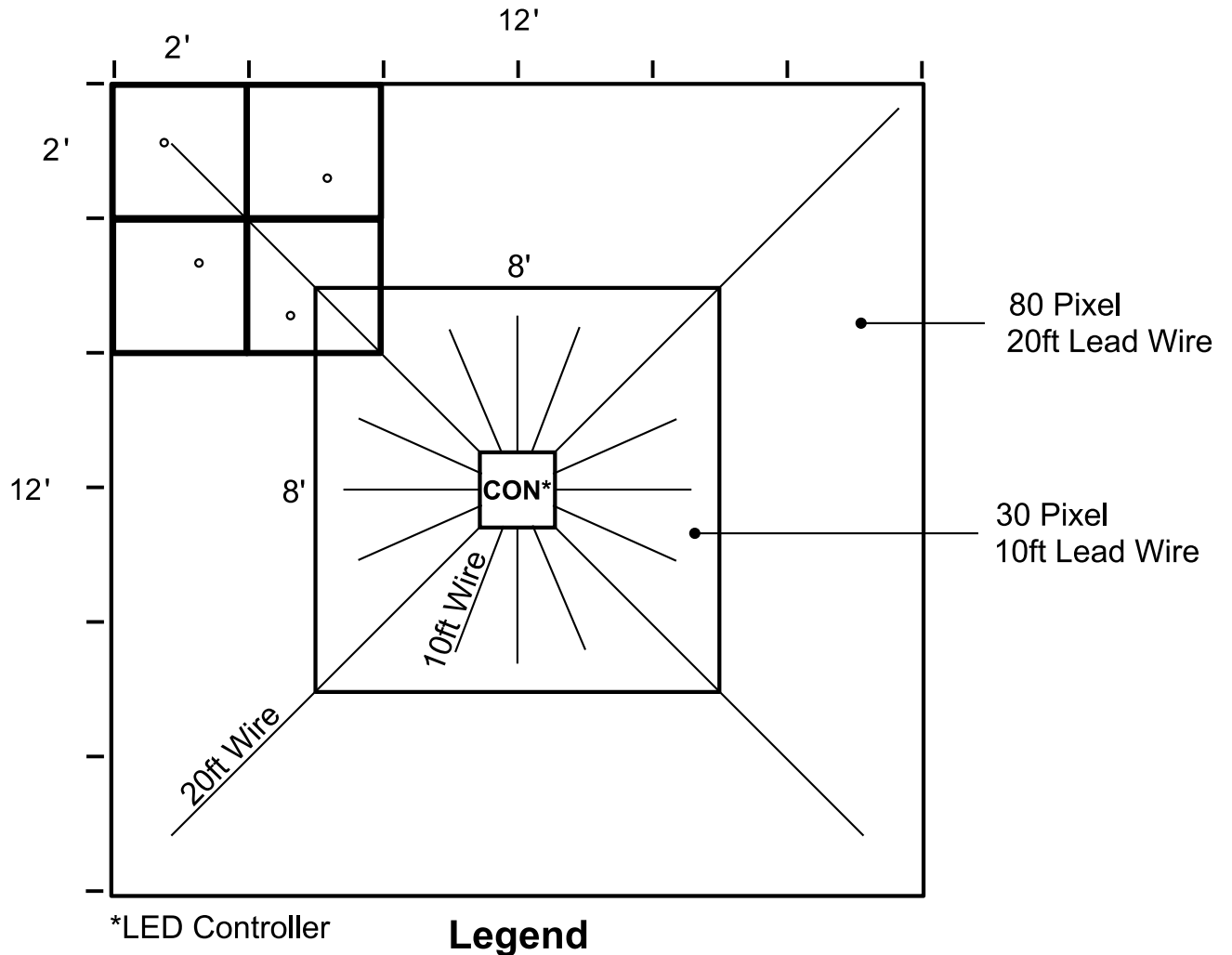
Product Details	
Aluminum Housing	Black, Silver, White
Power	0.5W, 1.0W
CCT	3000K, 4000K, 5000K
Wire Gauge	20AWG
IP Code	IP65
Voltage Rating	12VDC
LED Chip	Epistar
Lumens	45Lm/Ea, 90Lm/Ea
Dimensions	20mmx25mm

Installation Notes



- Attempt to duplicate this random example

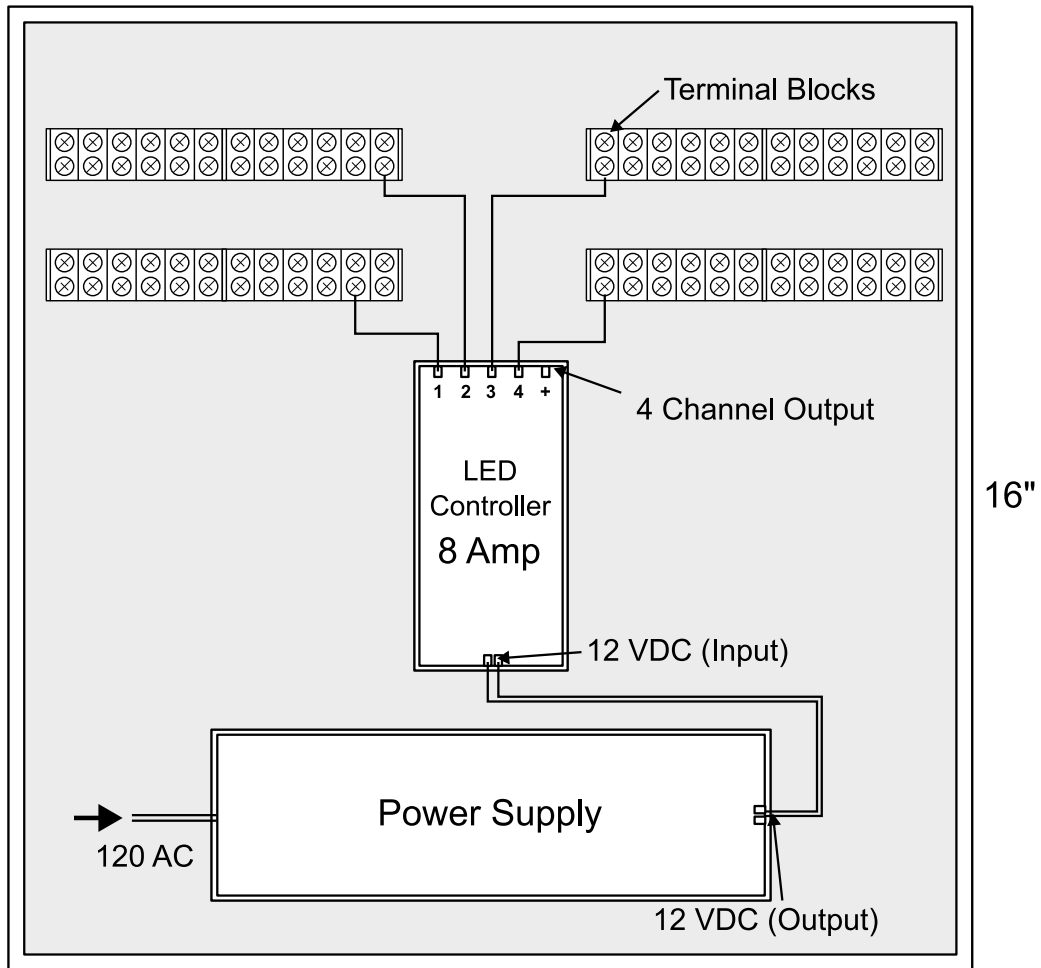
Star Plan Template



Control Board

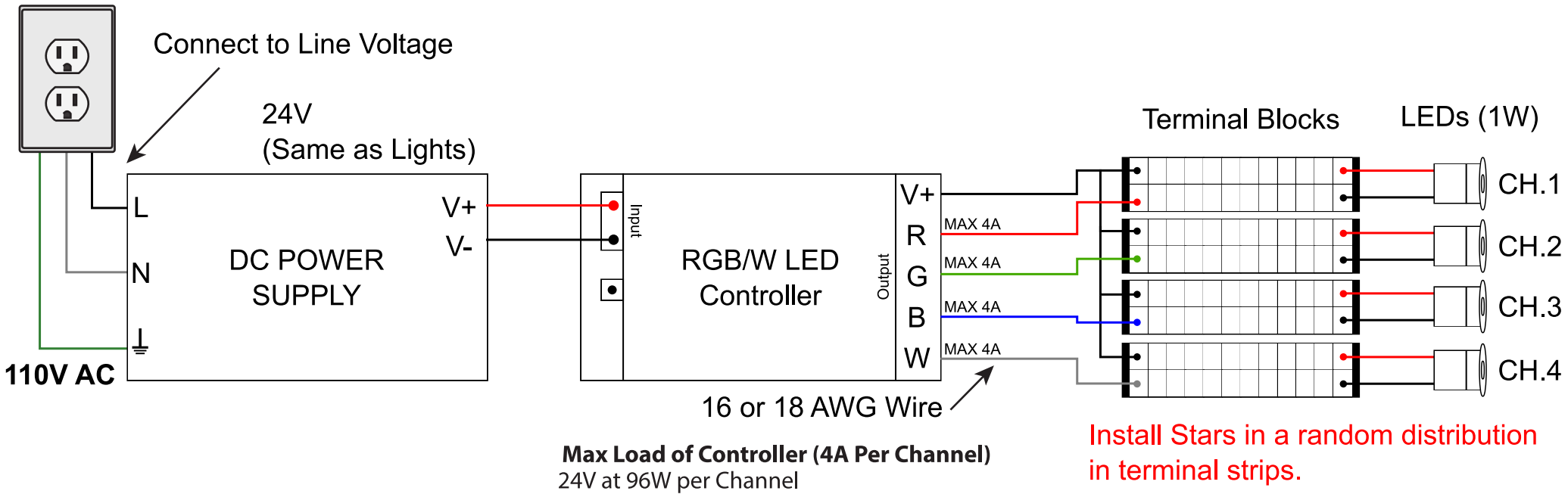
Overview

16"



4-Channel Fixture Controller

SETUP



Install Stars in a random distribution in terminal strips.

IE: (CH. 4 / 2 / 3 / 1)