



Slim LED Flush Mount

Model No: D21-LEDFM



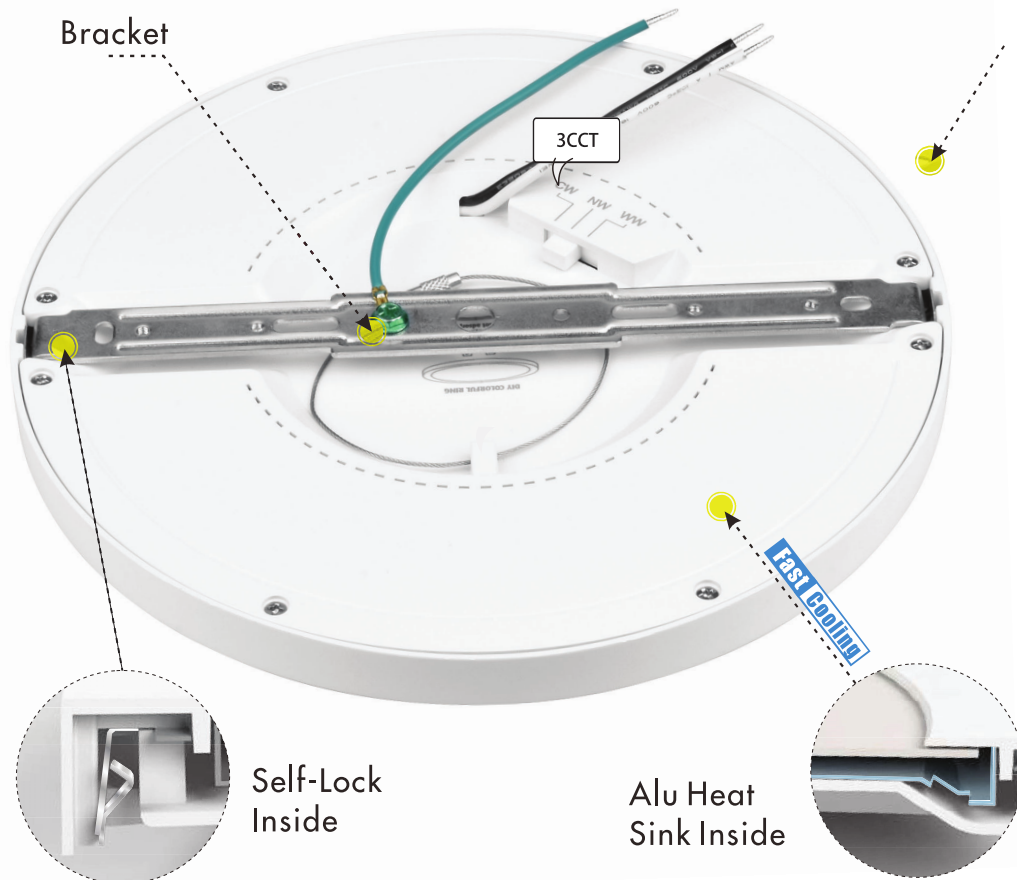
Specs

Model no.	D21-LEDFM6W	D21-LEDFM12W	D21-LEDFM18W	D21-LEDFM24W
Power:	6W	12W	18W	24W
CCT:	Warm white: 3000K / Nature white: 4000K / Pure white: 5000K			
Lumen Output(lm):	400±10% LM	900±10% LM	1450±10% LM	2000±10% LM
Rings Color:	Chrome / Black / Nickel / White			
LED Type / Qty:	SMD2835 / 28PCS	SMD2835 / 56PCS	SMD2835 / 84PCS	SMD2835 / 112PCS
Input Voltage:	AC 120V	AC 120V	AC 120V	AC 120V
Power Efficiency:	≥0.75	≥0.75	≥0.75	≥0.75
PF:	≥0.9	≥0.9	≥0.9	≥0.9
Ra:	≥80	≥80	≥80	≥80
Beam Angle:	110°	110°	110°	110°
Dimension:	Φ139x15 mm	Φ164x15 mm	Φ217x15 mm	Φ292x15 mm
N.W.:	180±10% g	190±10% g	380±10% g	647±10% g

Slim LED Flush Mount

Thermal Plastic Series

6W / 12W / 18W / 24W



Surface Mounted with J-box

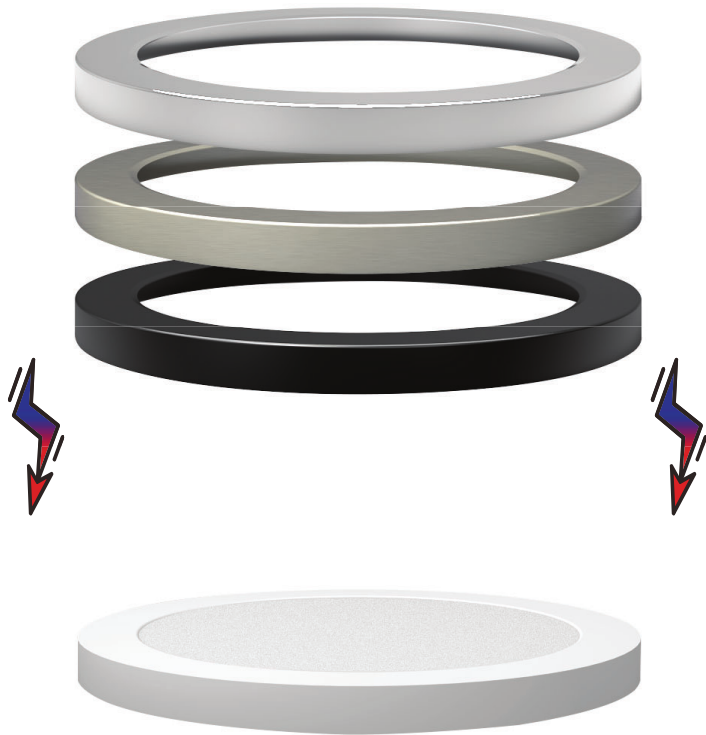


Recessed with Can Housing



- ★ Built-in Driver, 15mm Thickness
- ★ Round & Square Version
- ★ Colorful Trim Available
- ★ 3CCT Tunable
- ★ 120V, Triac Dimming
- ★ ETL/cETL/Energy Star/T24 listed

Custom Color Ring Selections



Colorful Ring Easy to Remove and Change



Perfect LED Mounting

Uniform Light Distribution

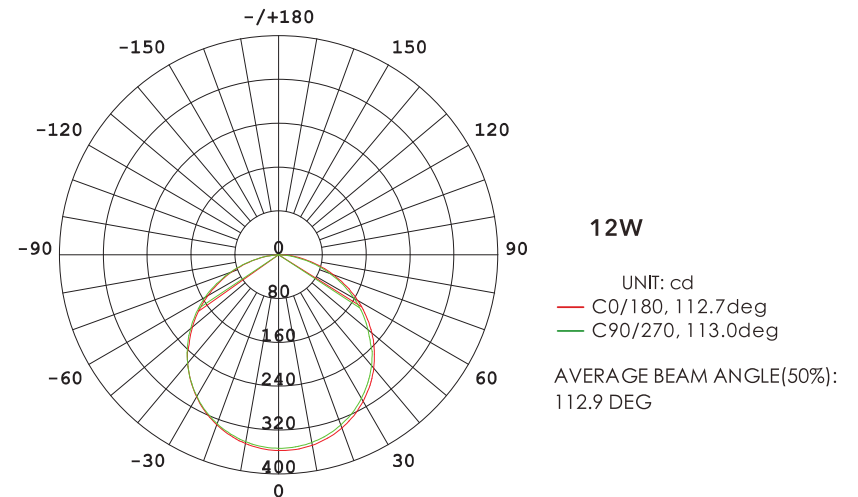
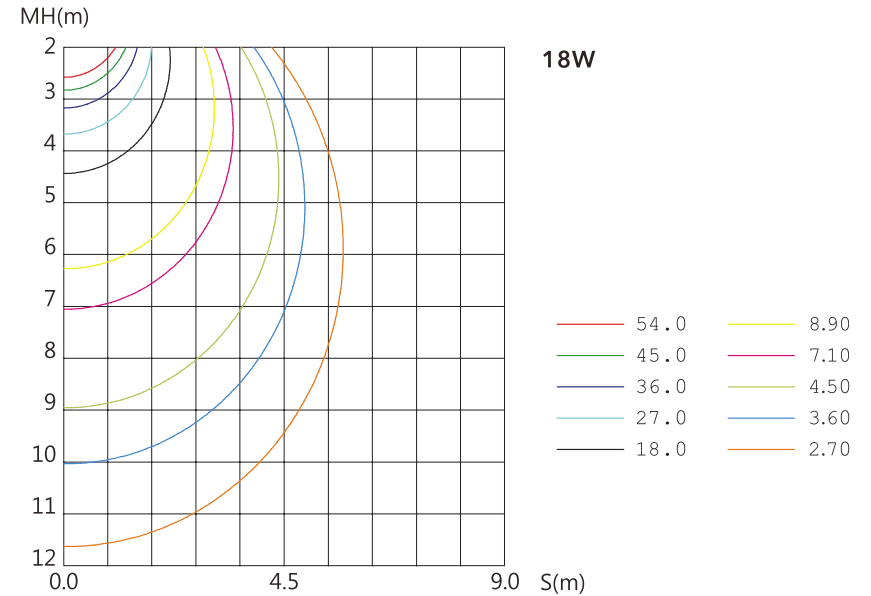
Black dots and shadow on the light, un-uniform lighting, which are the headache in the LED panel field.

LED Light Strip



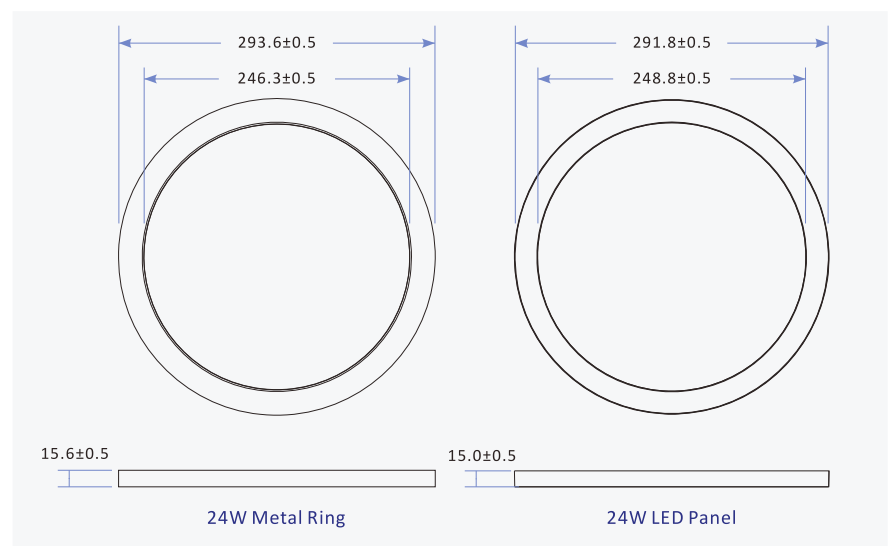
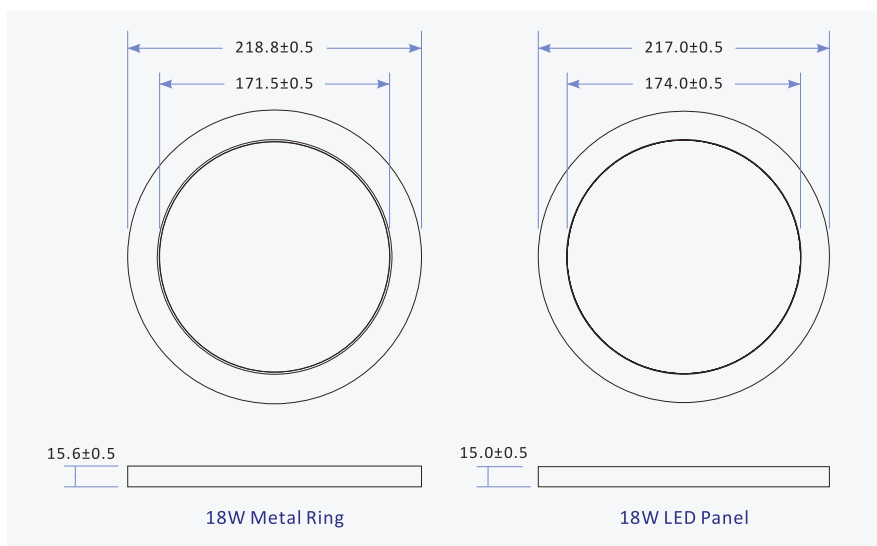
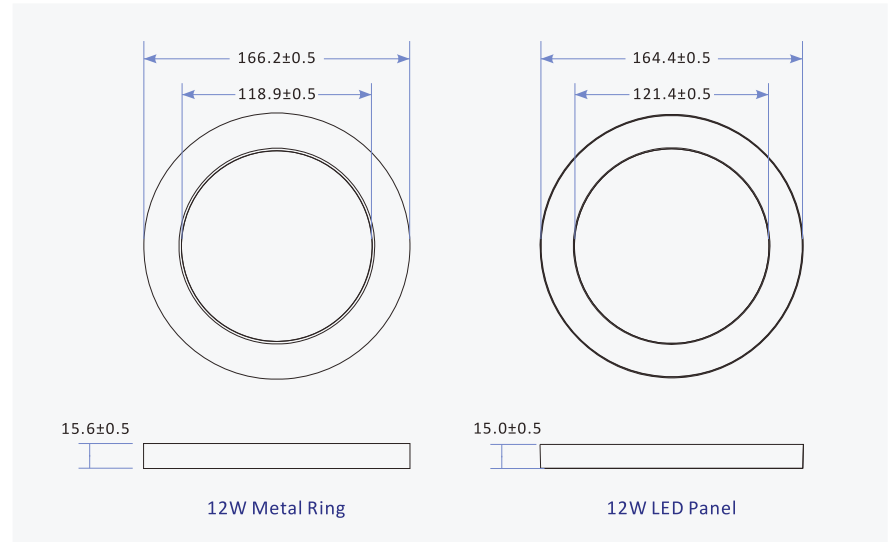
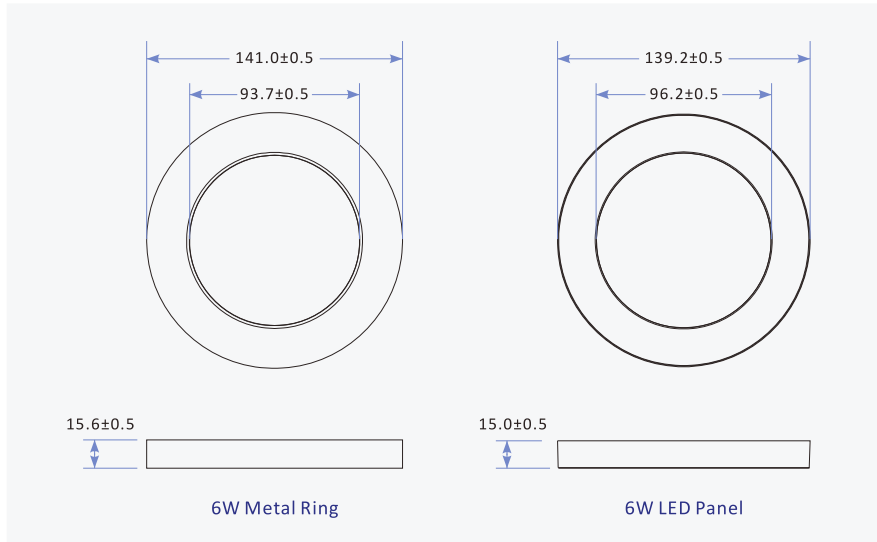
- ★ *SMT technology, ensuring accurate positions for LEDs on FPCB*
- ★ *Good quality LGP and diffuser plate*
- ★ *Stable design for the whole structure*

Above ensures uniform lighting, no black dots and shadow.



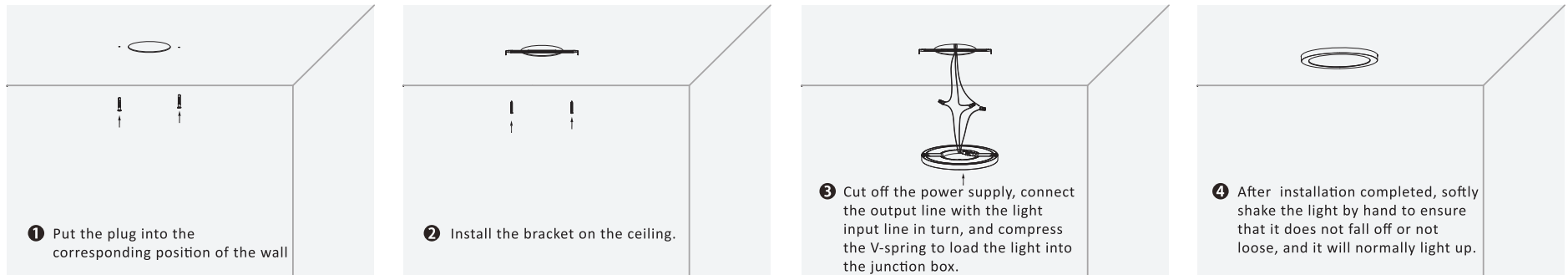
Dimension:

Unit: mm



Installation:

Case A (Surface Mounted with J-box)



Case B (Recessed with Can Housing)

