

# LED Ceiling Panel – Frame Lite

"Think Outside The Box"



**FEATURES**

- Innovative design, modern
- Perfectly replace standard panels
- c/w driver
- 3800 lumens
- 3 Year Warranty

**APPLICATIONS:**

- Commercial & Residential



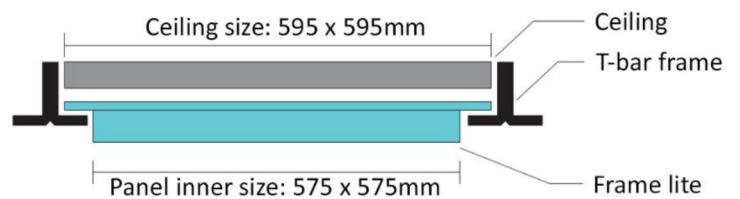
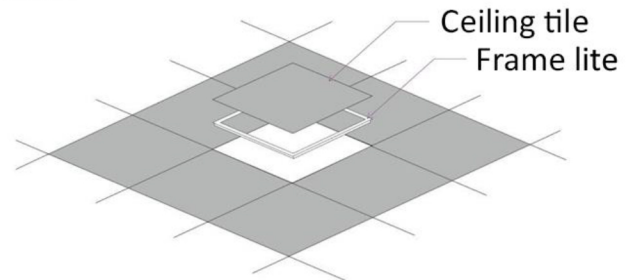
Recessed:



Suspended:



**INSTALLATION**

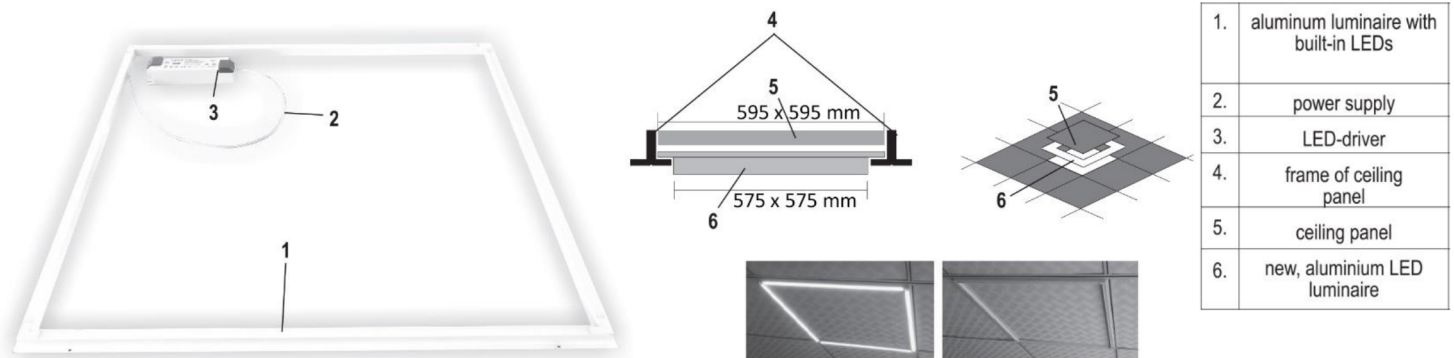


**SPECIFICATIONS**

<b>Input Voltage</b>	90-240V
<b>Power</b>	40W
<b>CCT</b>	3000K-4000K-5000K
<b>LED Chip Type</b>	300xSMD2835
<b>Lumens</b>	3800 Lm(90-100 Lm/w)
<b>Beam angle</b>	130°
<b>Material</b>	Aluminum
<b>Dimmable</b>	Yes
<b>Operating temperature</b>	-25° to +60°
<b>Warranty</b>	3 years



## INSTRUCTION MANUAL



Please read the manual carefully before using the product and retain it for further reference. The original instruction were written in the Hungarian language.

The ceiling-panel LED light is made of massive aluminium, which provides excellent cooling for the LEDs. Mounting and installation is extremely simple and quick. Beside fixing it to the ceiling panel, it can be used suspended with the included cord set as well. Power supply is provided by the low-voltage LED driver.

### MOUNTING TO THE CEILING PANEL

- Only qualified personnel can install and connect electrical connections!
- Power off the mains at the place of mounting, by disconnecting the circuit breaker!
- Remove the ceiling panel
- Insert the LED luminaire into the ceiling, so as the LEDs are facing down, the cable is facing upwards.
- Connect the accessory LED-driver. Remove the sheath insulation of the cable 1,5 cm long, than crimp the wires 5 mm long. Use ferrules or make tin coating for the wire ends.

#### AC IN connectors

**AC-L** phase wire of 230 V~/50 Hz electric network (black or brown)

**AC-N** neutral wire of 230 V~/50 Hz electric network (blue)

#### DC OUT connectors

**LED+** white insulated wire of LED light

**LED-** transparent insulated wire of LED light

Push on tightly the covers to the connecting and onto the sheath insulation of the wires, which can fix the wires this way.

- Put back the panel of the ceiling to its place over the luminaire.
- Power on the electric network.

### MOUNTING SUSPENDED

- You can see cord set for suspended mounting Length of steel cords is 60 cm.
- fix the conical covering elements to the 4 corners of the luminaire, where the suspending cords are led through.
- Following the threads of the luminaire, drill  $\varnothing$  6 mm holes to the ceiling for the studs.
- Secure the inner threaded metal cylinders with the screws to the ceiling.
- Screw the 4 cable clamp into the threaded cylinders.
- push the cord into the cable clamp. ATTENTION! The cord can not be pulled backwards!
- Connect the LED driver as described in the MOUNTING TO THE CEILING PANEL part.

#### Releasing the cord

It is possible to release the suspension cord. Be careful if you unplug the copper ring, not to get springs and small balls jump out. If the cord is pulled out, immediately screw back the copper ring against the spring.

### CLEANING & MAINTENANCE

In order to ensure optimum functioning, the luminaire may require cleaning at least once a month, depending on the manner of use and degree of contamination.

1. Switch off and power off the luminaire before cleaning!
2. Use a slightly moistened cloth to clean the luminaire's outer surface. Do not use any aggressive cleaners. Avoid getting water inside of and on the electric components of the appliance!

### WARNINGS

- Make sure the appliance has not been damaged during transit!
- The luminaire can only be used in dry, indoor conditions!
- It doesn't include terminal block. For installation, advice of a qualified person may be required.
- Luminaire may only be operated with the enclosed LED driver.
- Light source in the luminaire is not replaceable. At the end of the lifetime of the light source, the entire product must be discarded.
- This luminaire is not suitable for looping-in installation.



1



2



3



4



5



6

