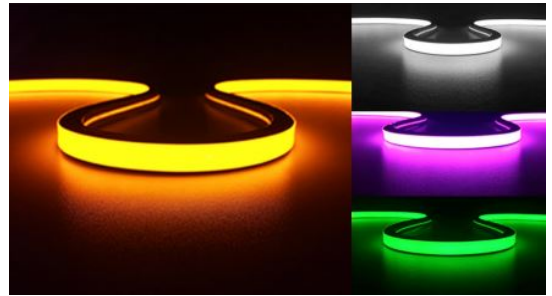


Top-View LED Neon

Featuring DOW Chemical Silastic™ Silicone



Specifications (Solid Colours)

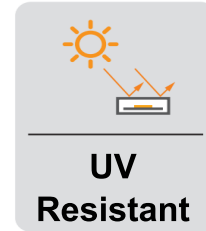
CCT (K)	CRI	Voltage	Power (W)	Lumen (LM/m)	Efficiency (LM/W)	Unit Length (mm)	Max. Run Length (m)	CC/CV
2100±150	≥ 90	DC24V	10	460	46.0	50	10	CC
2400±150				470	47.0			
2700±150				550	55.0			
3000±150				540	54.0			
3500±200				585	58.5			
4000 ⁺⁴⁰⁰ ₋₂₀₀				575	57.5			
5000 ⁺⁵⁰⁰ ₋₂₀₀				570	57.0			
6500 ⁺²⁰⁰ ₋₆₀₀				575	57.5			
Red				--	240			
Green	--	550	55.0					
Blue	--	110	11.0					
Yellow	--	240	24.0					
Pink	--	225	22.5					

Specifications (RGB/RGBW)

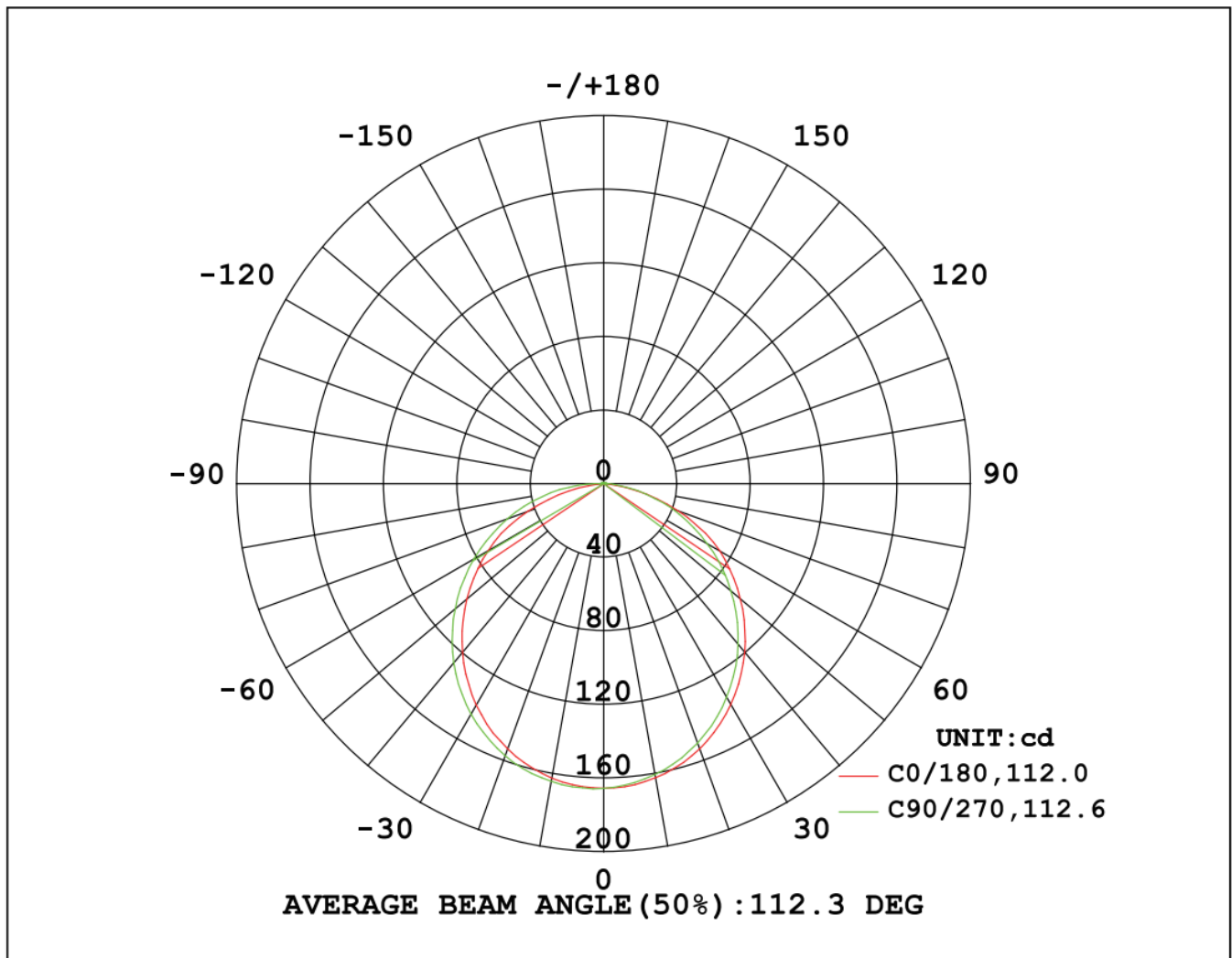
CCT (K)	Voltage	Power (W)	Lumen (LM/m)	Efficiency (LM/W)	Cutting Length (mm)	Max. Run Length (m)
R	DC24V	3.7	53	14.2	125	10
G		3.7	207	56.0		
B		3.7	31	8.3		
RGB		11	275	25.0		
RGBW		12	300	30		

Temperature Parameters

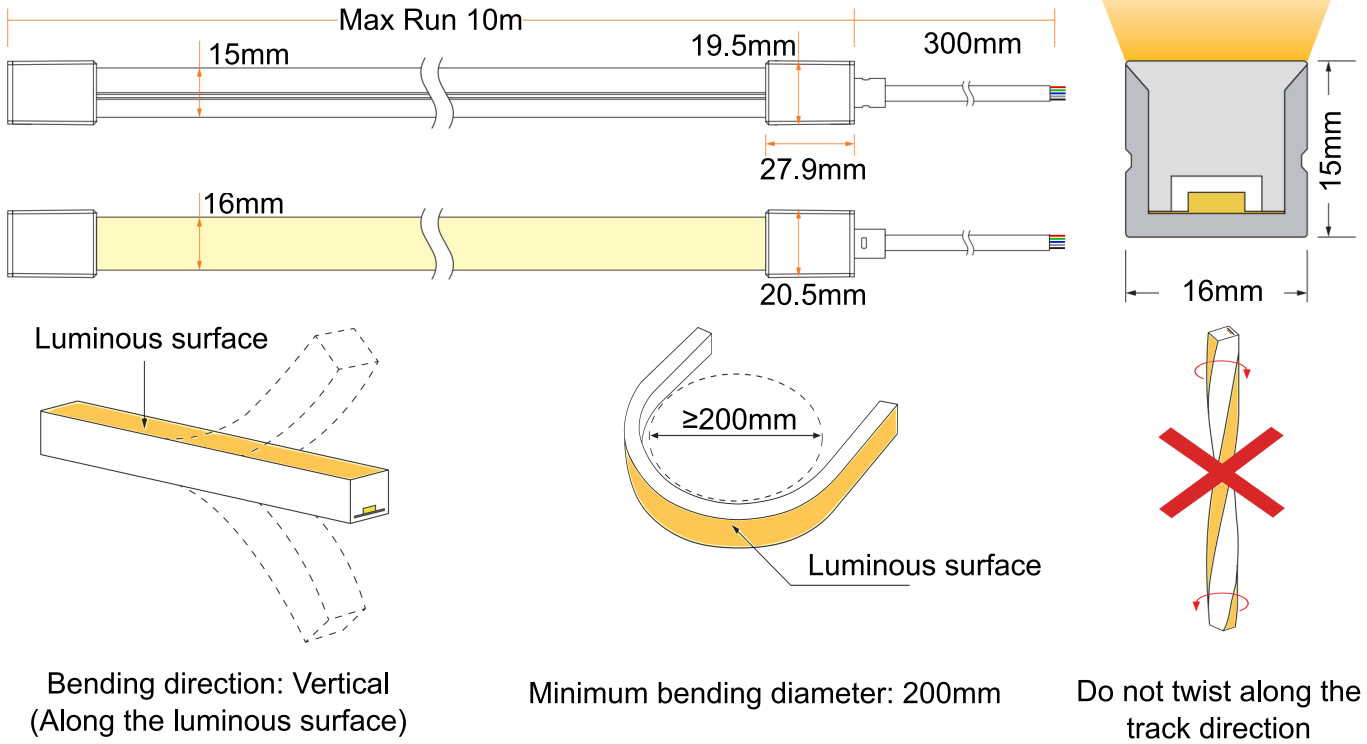
LED Pin Temperature	Max. 65°C
Storage Temperature	Min. -25°C, Max. 60°C
Ambient Temperature	Min. -25°C, Max. 45°C



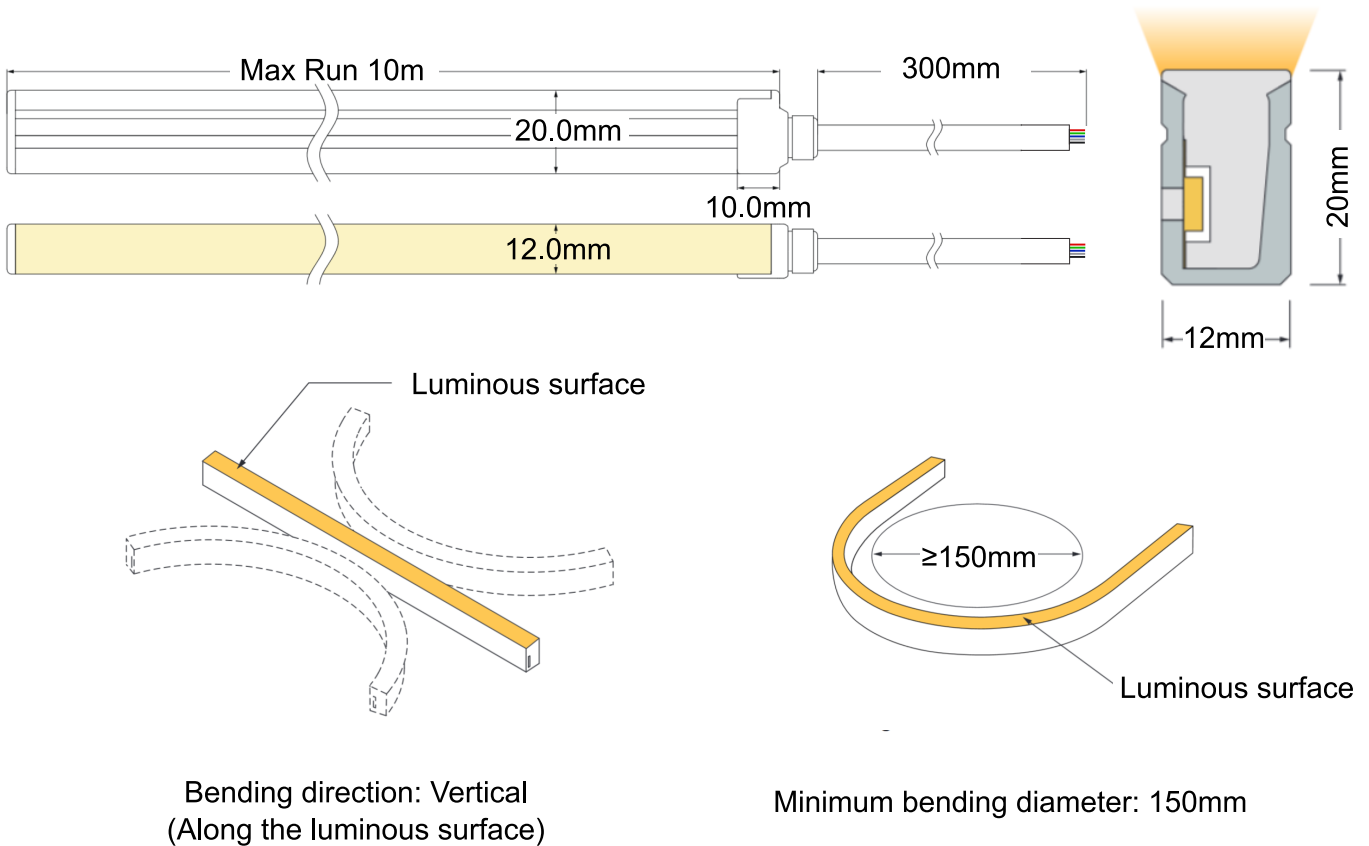
Light Distribution Curve



Dimensions and Bending Directions (Vertically Bendable Option)

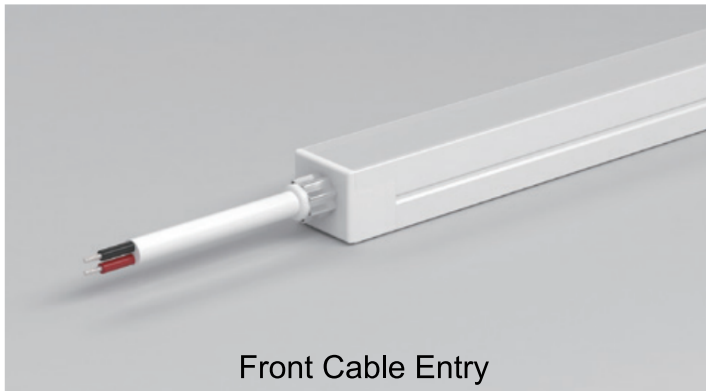
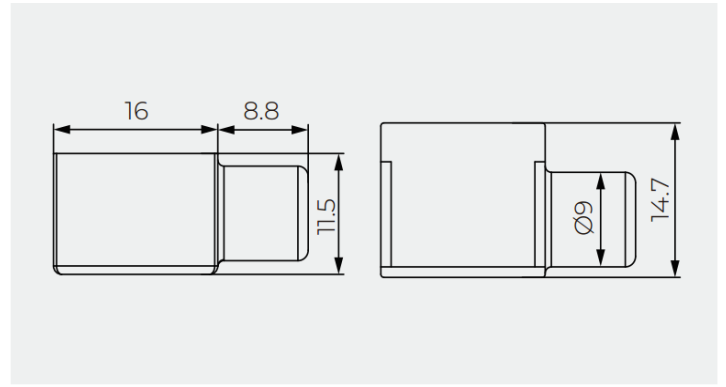
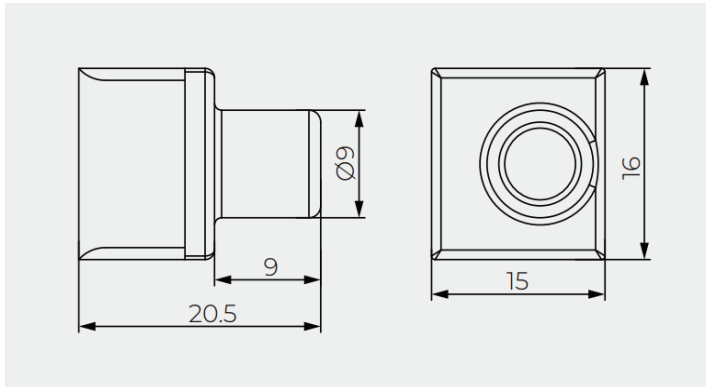


Dimensions and Bending Directions (Horizontally Bendable Option)

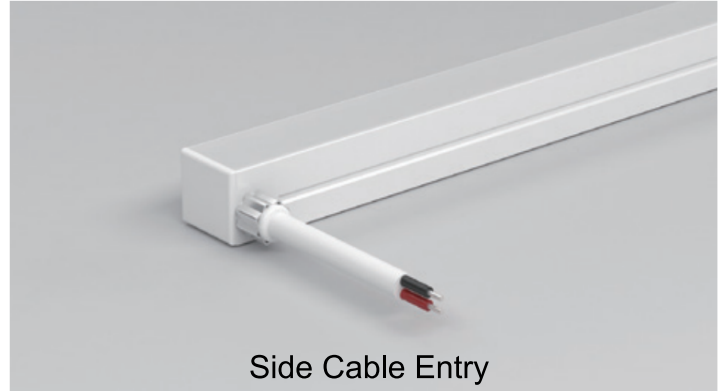


Solderless Cable Connections (IP67)

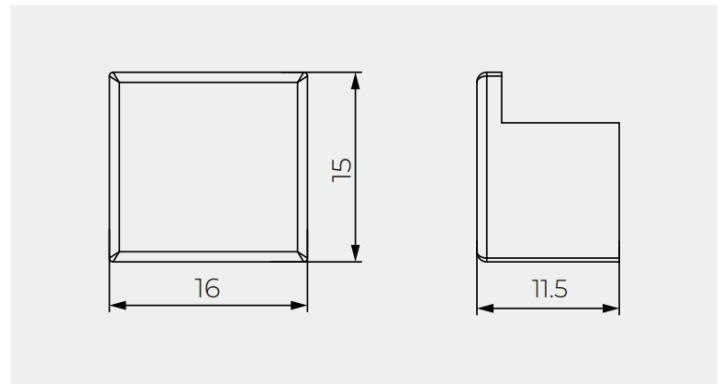
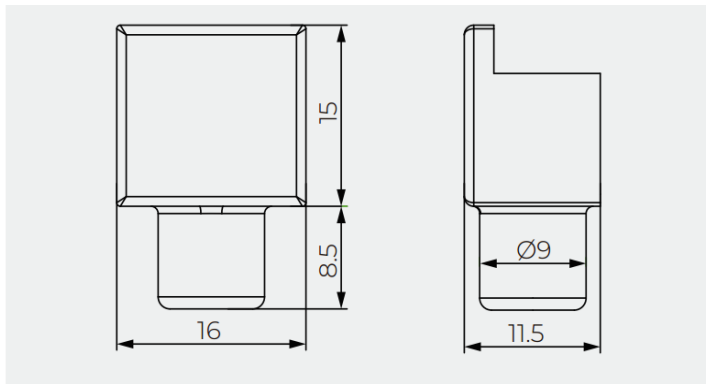
Integral End Cap



Front Cable Entry



Side Cable Entry

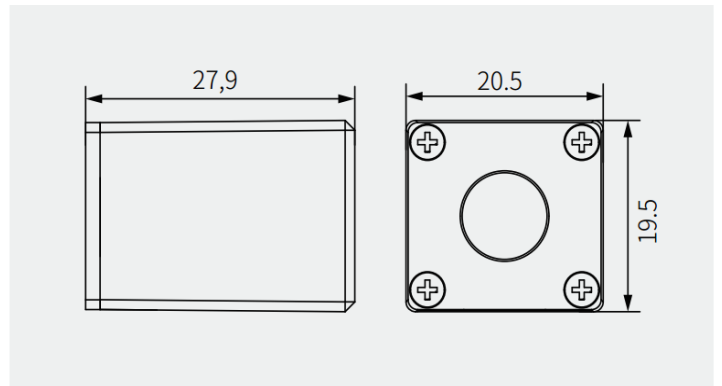
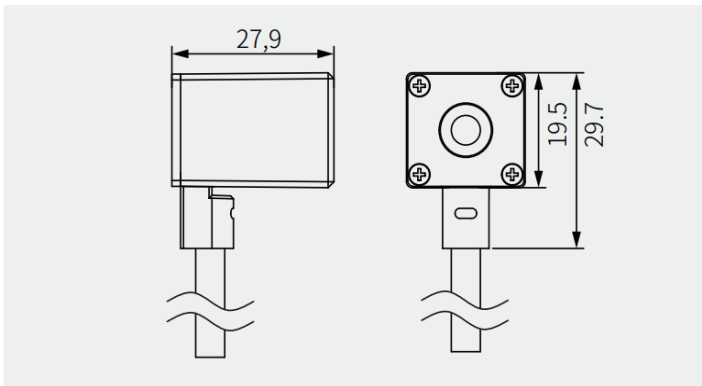
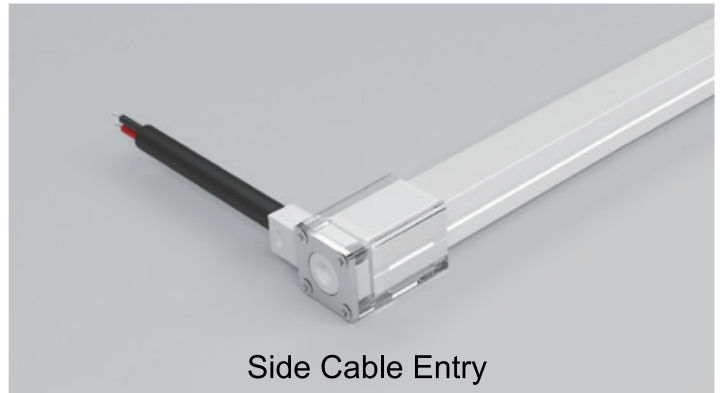
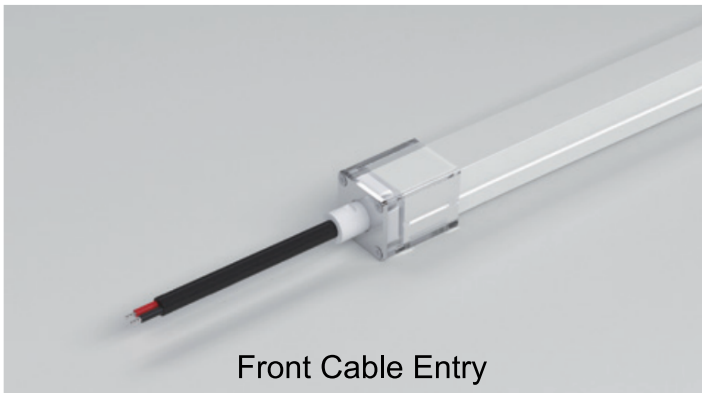
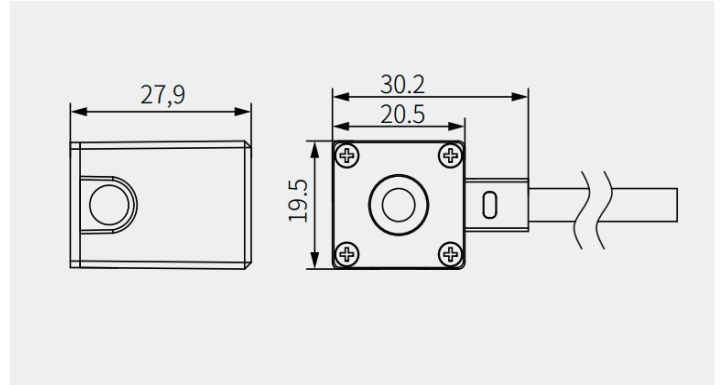
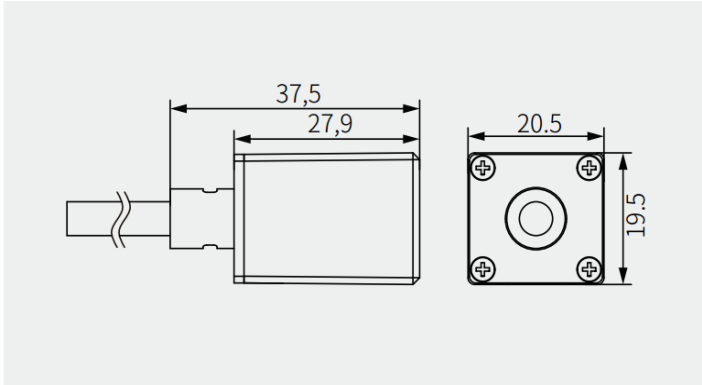


Bottom Cable Entry

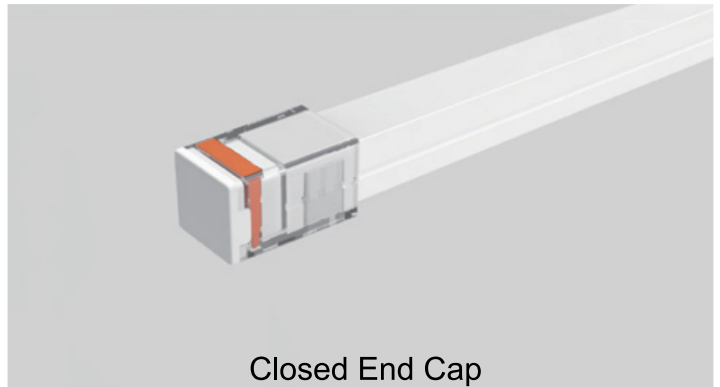
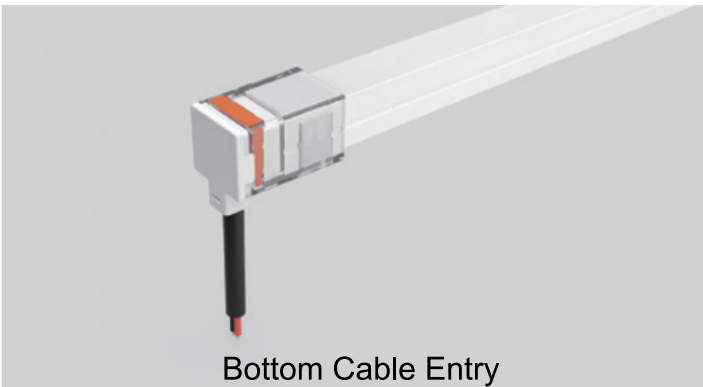
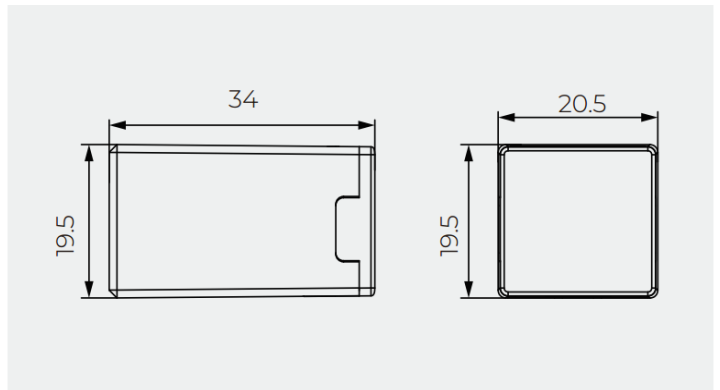
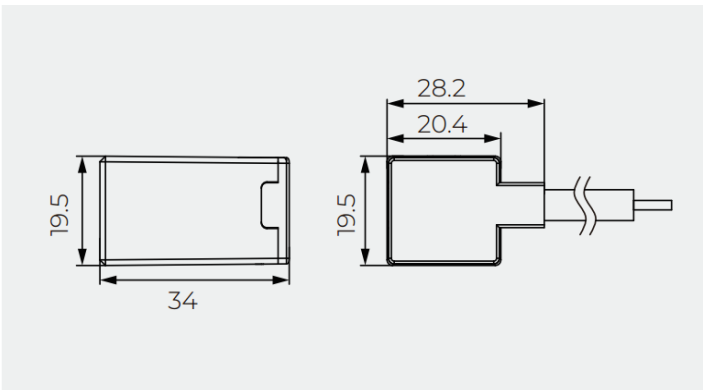
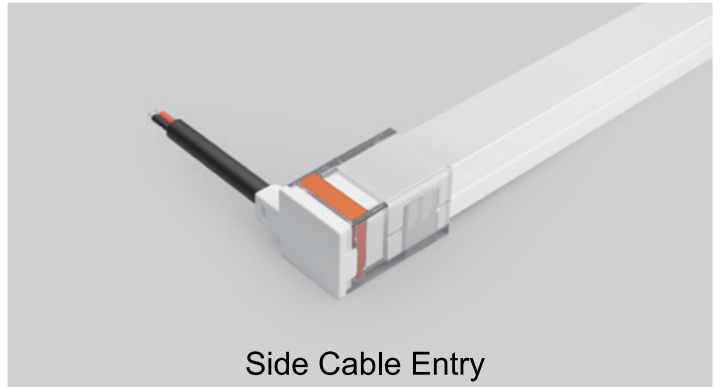
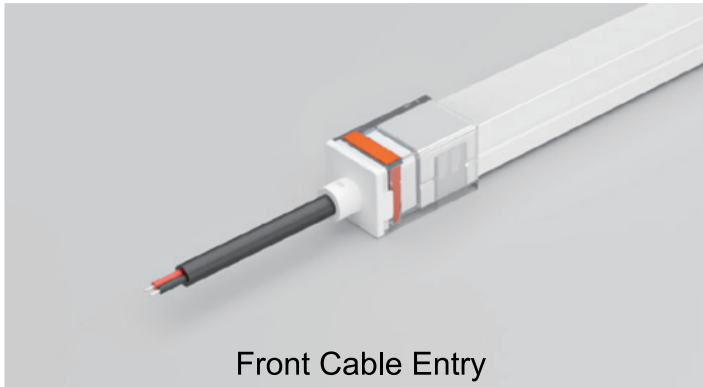
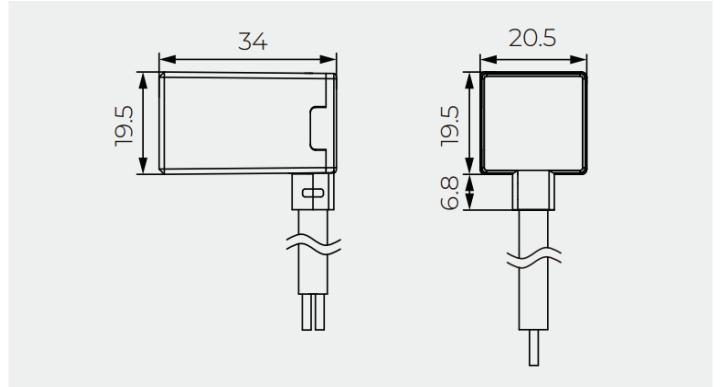
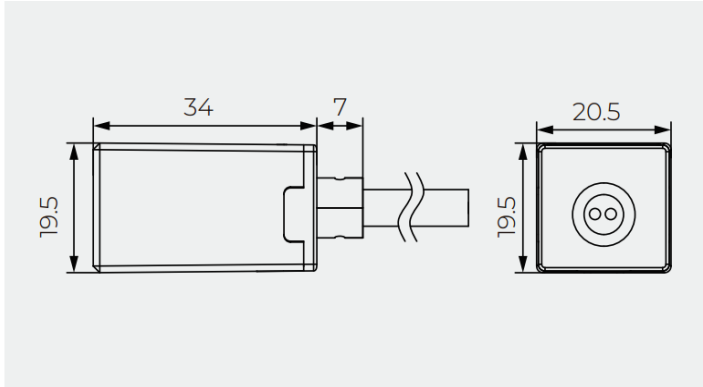


Closed End Cap

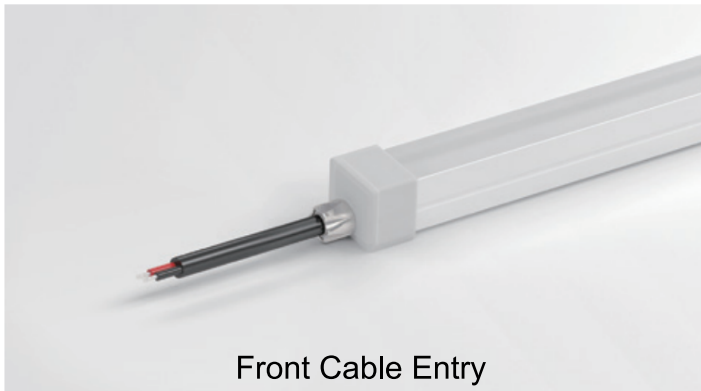
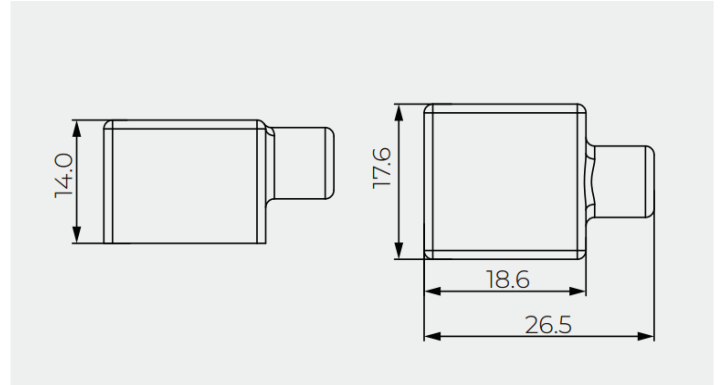
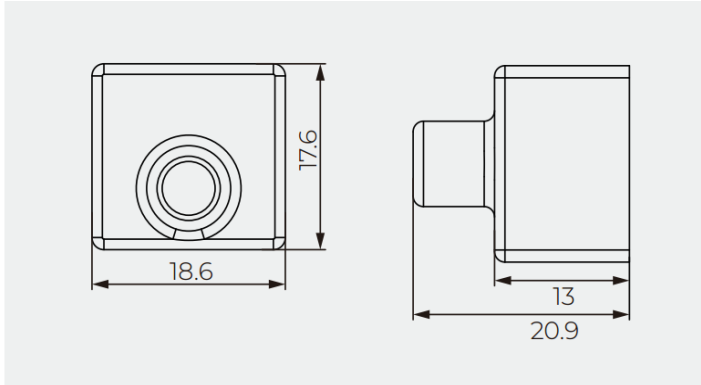
Solderless End Cap (with Screws)



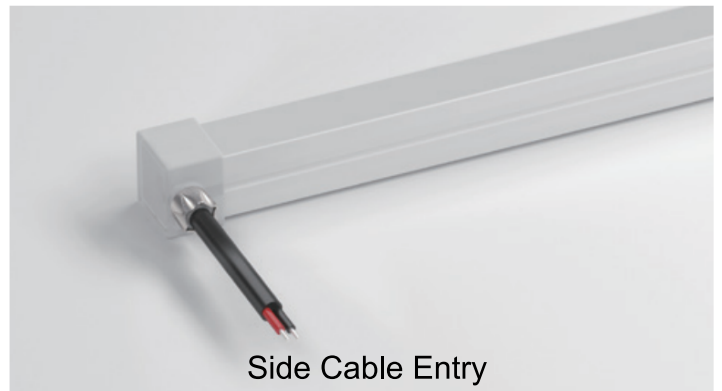
Solderless End Cap (no Screws)



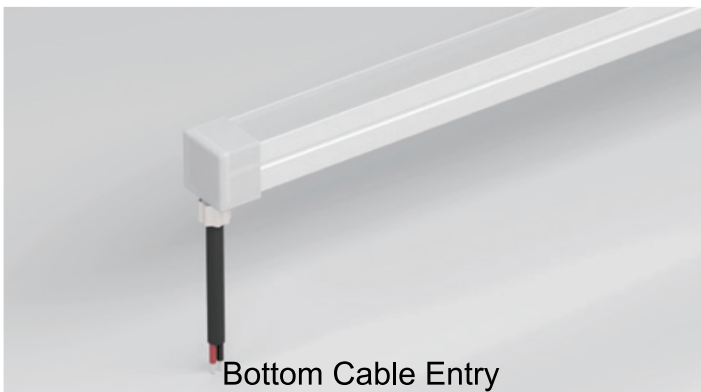
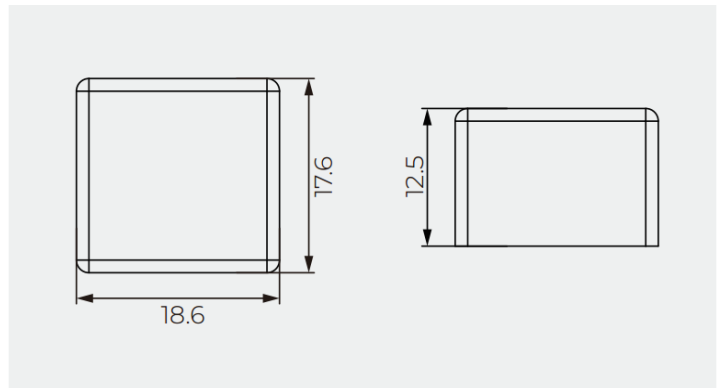
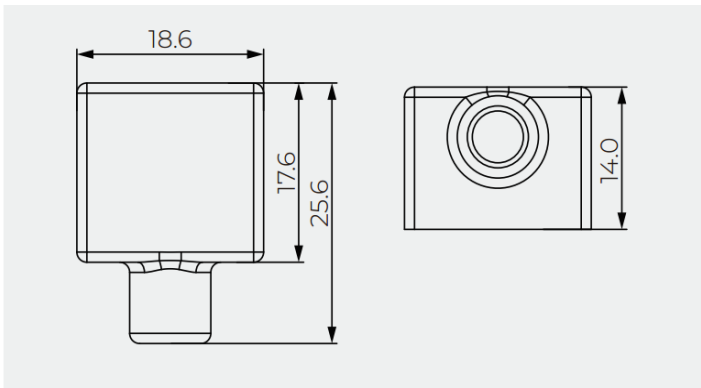
Silicone End Cap



Front Cable Entry



Side Cable Entry

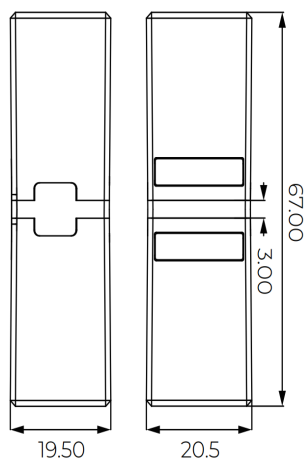
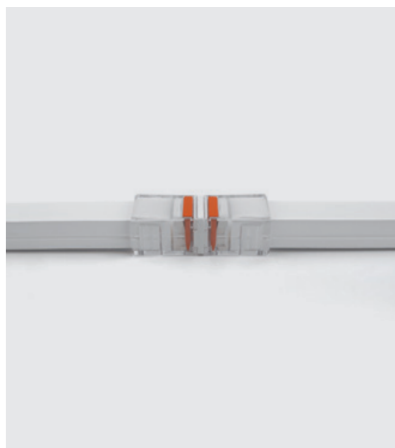


Bottom Cable Entry

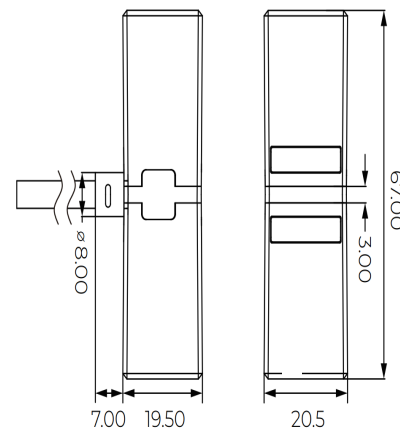
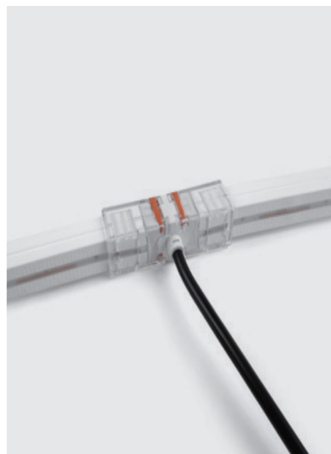


Closed End Cap

Track-to-Track Solderless Connections

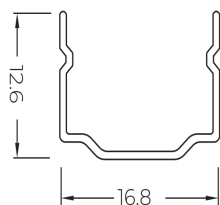
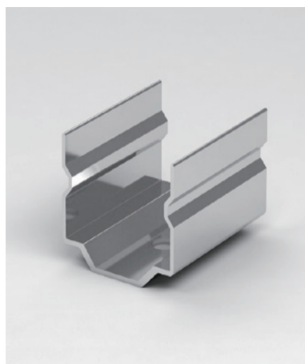


Track-to-Track (No Cable Entry)



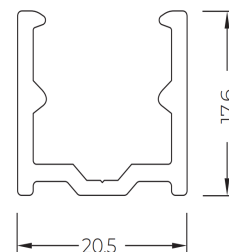
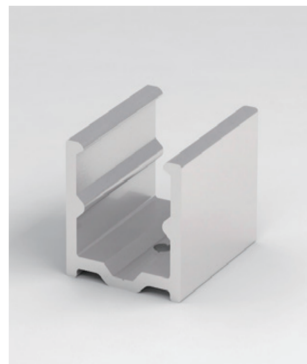
Track-to-Track (With Cable Entry)

Mounting Equipments (Vertically Bendable Option)



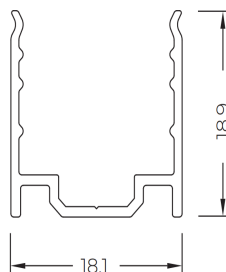
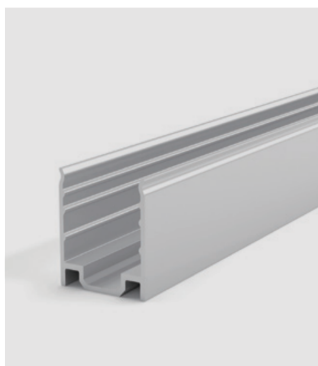
Regular Mounting Clips

- Dimensions:
20mm x 12.6mm x 16.8mm
- Screws:
M3 x 15mm



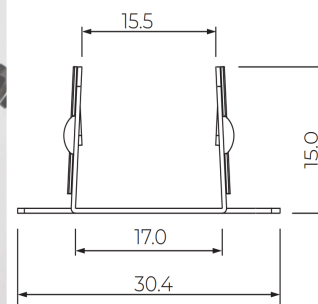
Aluminum Mounting Clips

- Dimensions:
20mm x 20.5mm x 17.6mm
- Screws:
M3 x 15mm



Aluminum Track

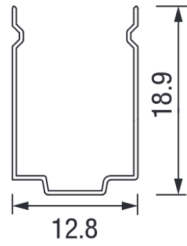
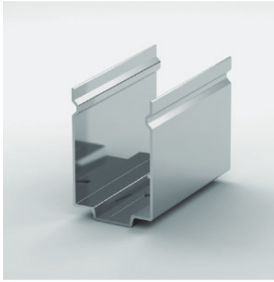
- Dimensions:
1000mm x 18.1mm x 18.9mm
- Screws:
M3 x 15mm



Flexible Track

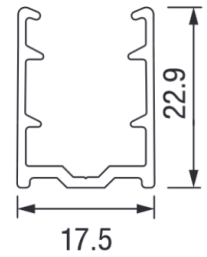
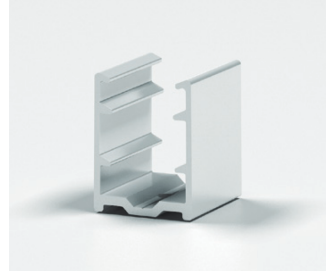
- Dimensions:
51.4mm x 30.4mm x 15mm
- Screws:
M3 x 15mm

Mounting Equipments (Horizontally Bendable Option)



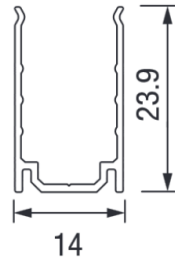
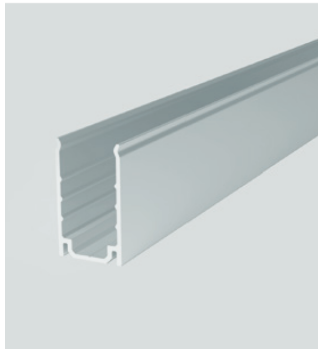
Regular Mounting Clips

- Dimensions:
20mm x 12.8mm x 18.9mm
- Screws:
M3 x 15mm



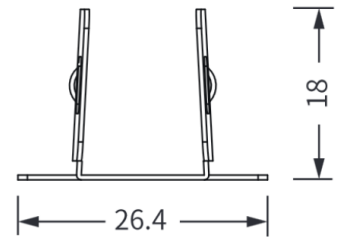
Aluminum Mounting Clips

- Dimensions:
20mm x 17.5mm x 22.9mm
- Screws:
M3 x 15mm



Aluminum Track

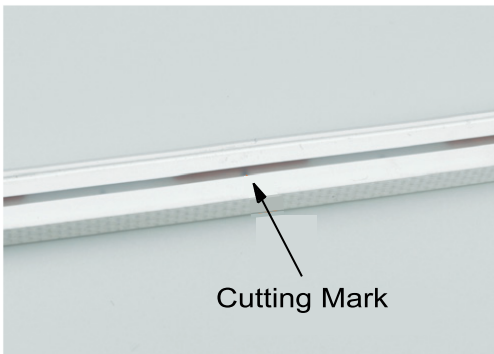
- Dimensions:
1000mm x 14mm x 23.9mm
- Screws:
M3 x 15mm



Flexible Track

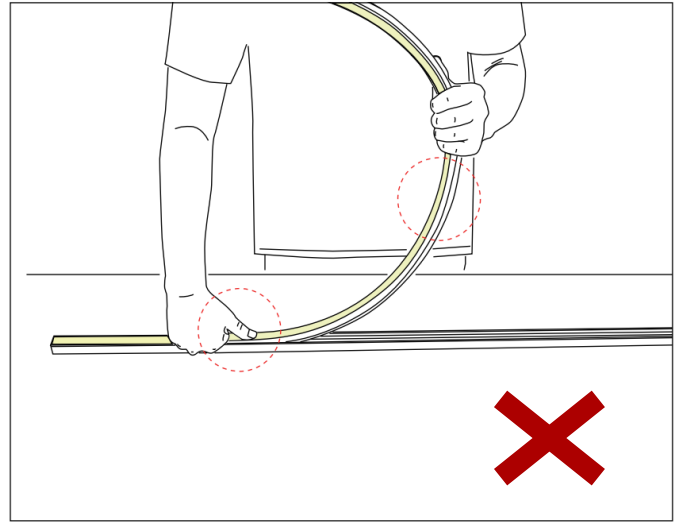
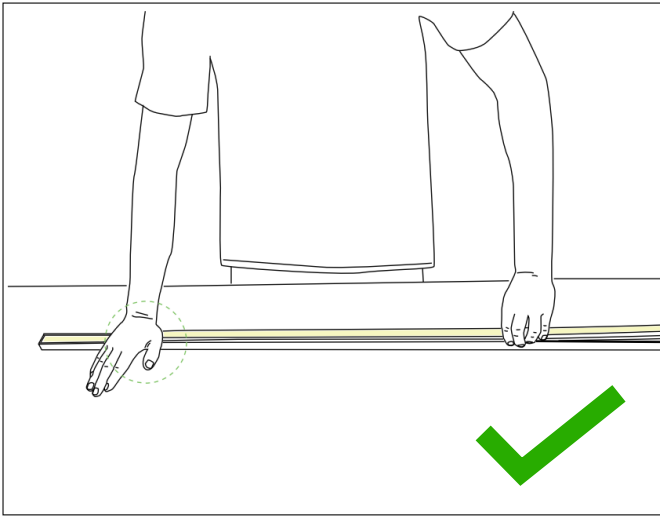
- Dimensions:
514mm x 26.4mm x 18mm
- Screws:
M3 x 15mm

Cutting

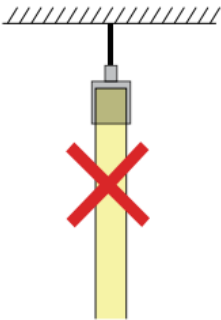


- Cut only at the marked positions (dots at the bottom of the strip).
- Do not cut in an angle or cambered direction; only cut vertically.

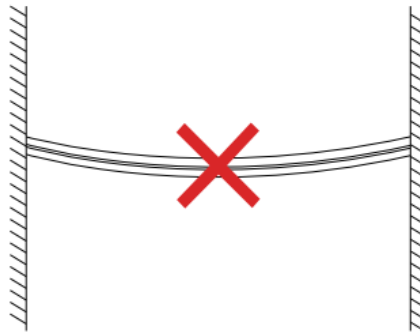
Installation



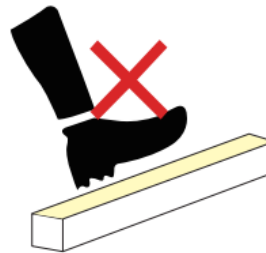
Gently press the LED strip into the tracks without bending it. To avoid any damages, do not press the strip with a single finger. Instead, press the strip with the palm of your hand.



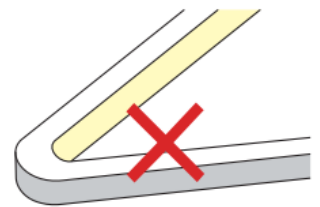
Do not hang the strip using the power cable



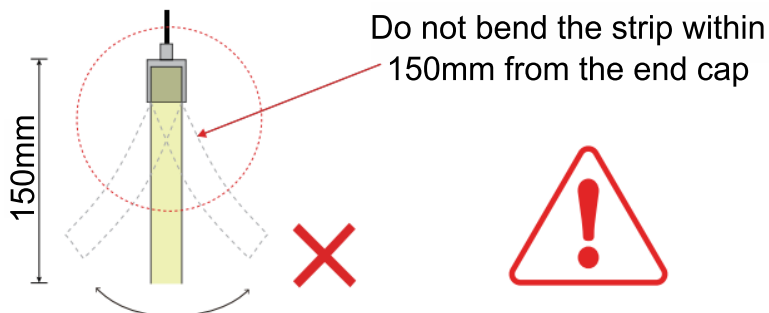
Do not suspend the tracks in air



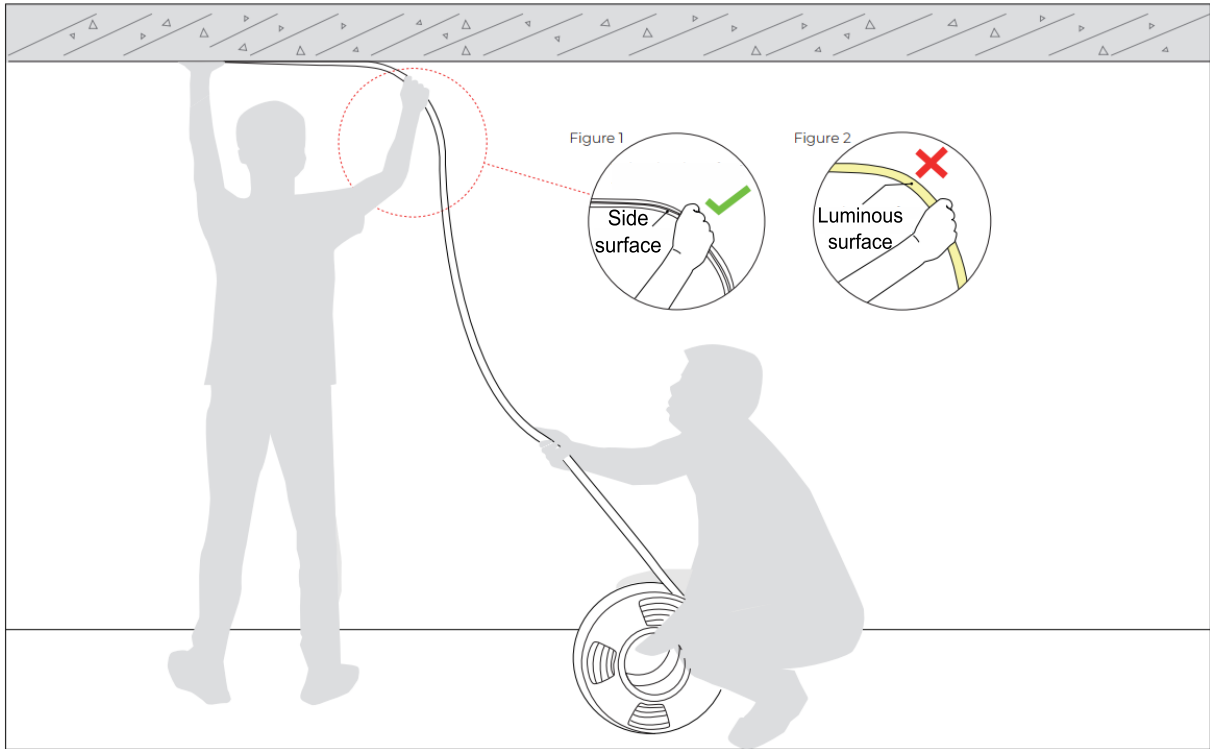
Do not step on the tracks



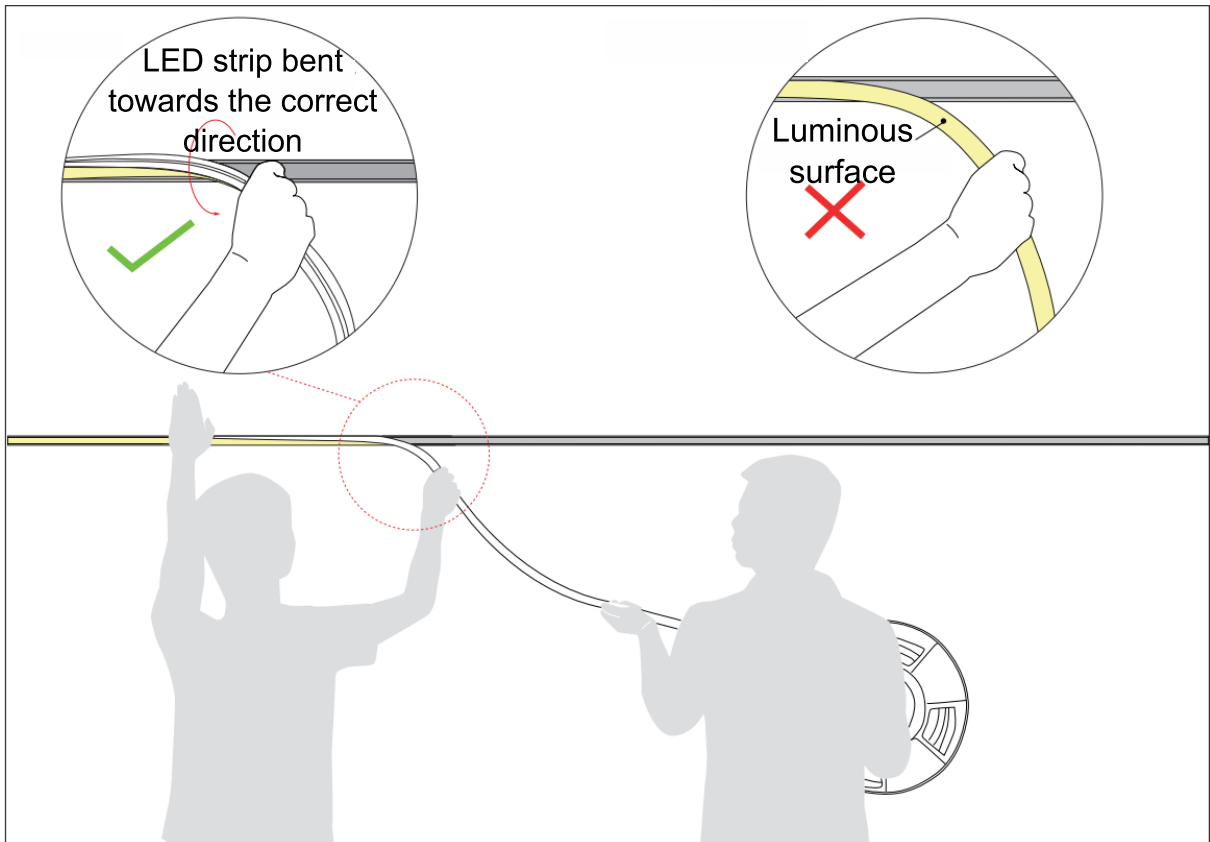
Only bend within a minimum diameter of 200mm



Top Mounting (Vertically Bendable Option)

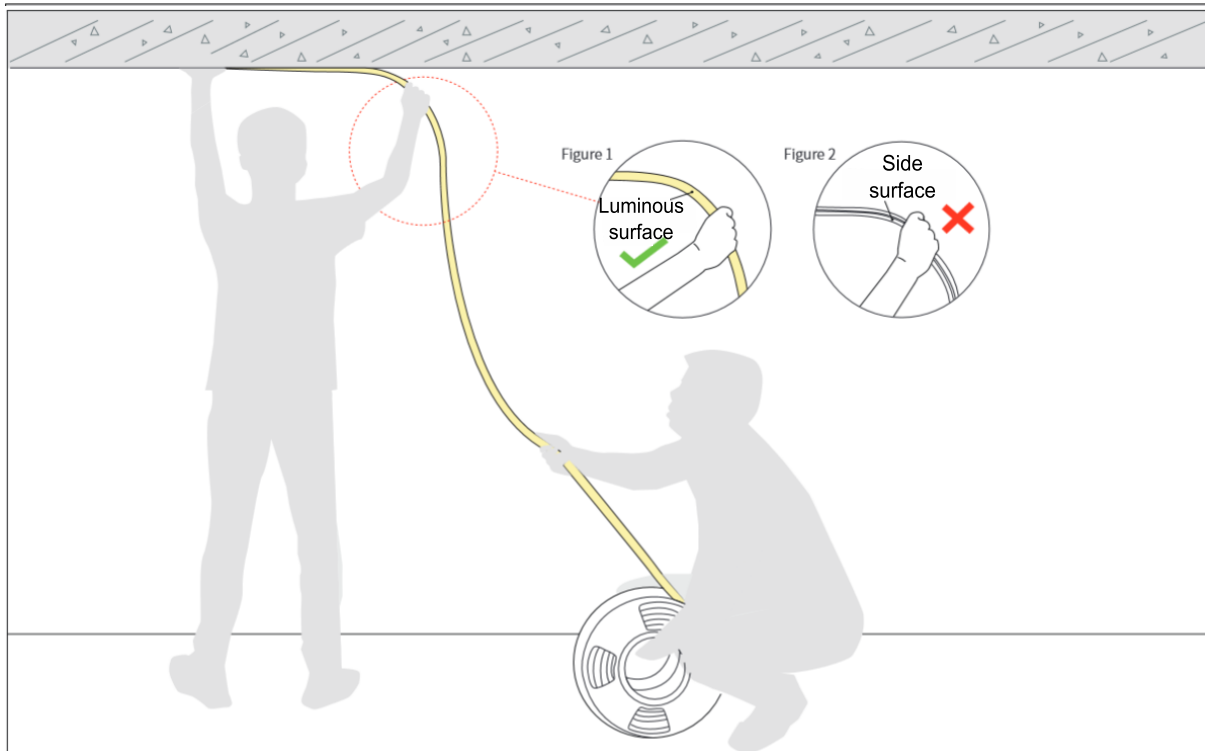


Side Mounting (Vertically Bendable Option)

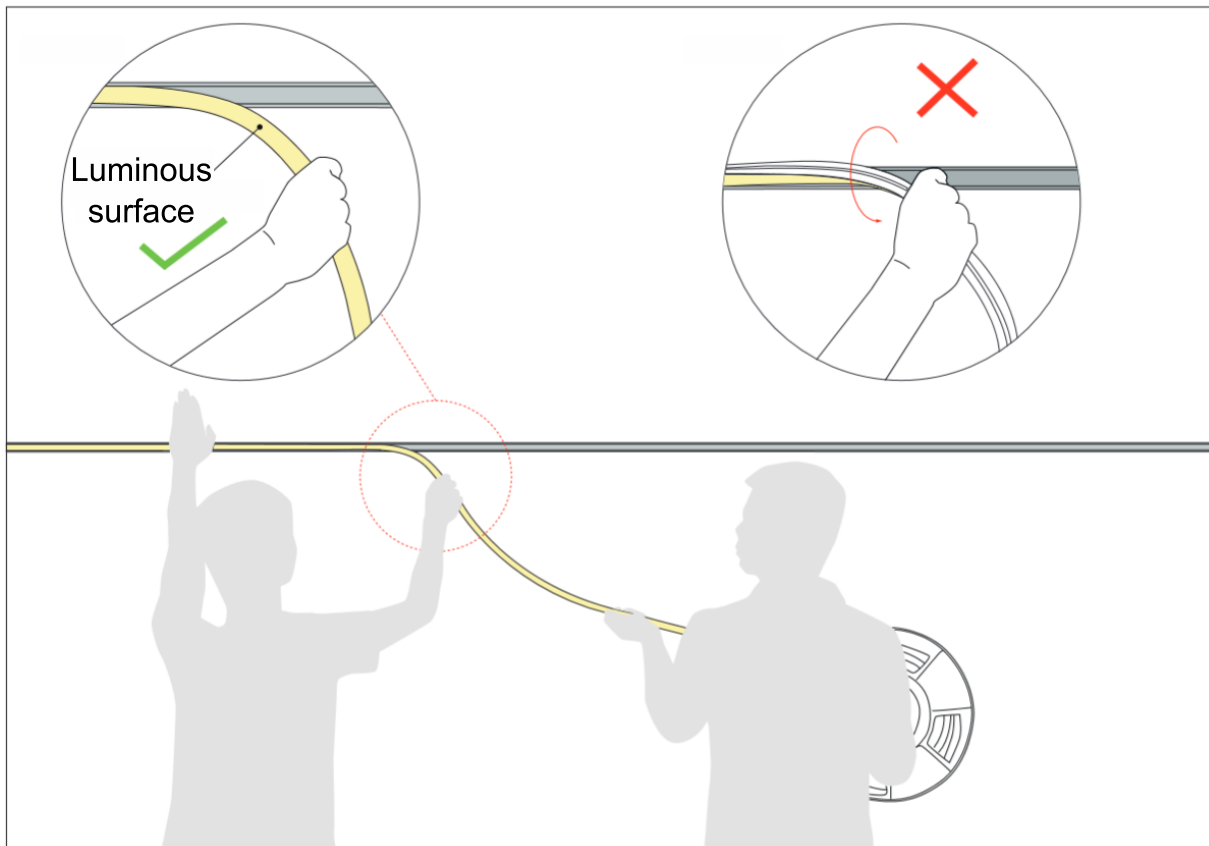


When installing, ensure that the bend direction is towards the luminous surface, and gently press the strip into the tracks.

Top Mounting (Horizontally Bendable Option)



Side Mounting (Horizontally Bendable Option)



When installing, ensure that the bend direction is towards the side of the luminous surface, and gently press the strip into the tracks.