

LED Riser Light

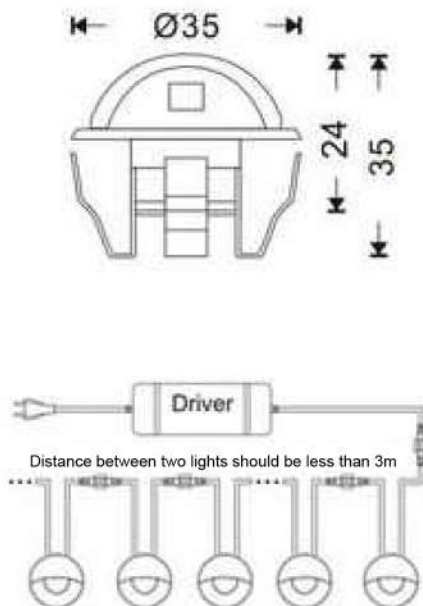
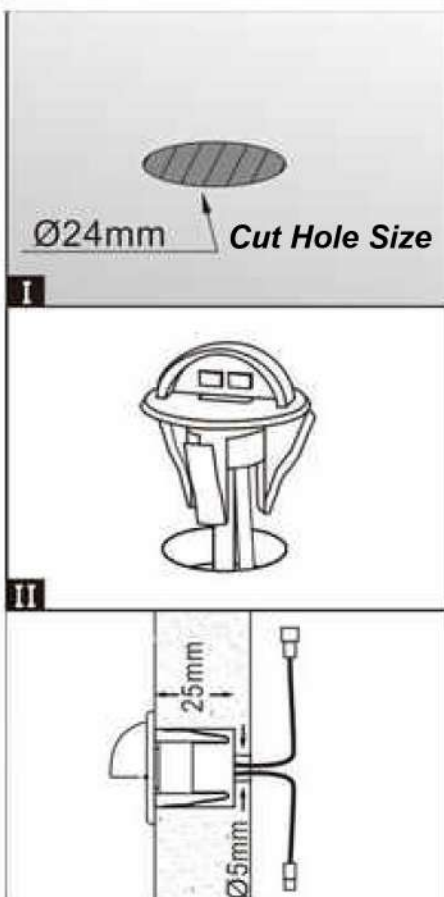
Applications

- Deck
- Stair Riser
- Stringers
- Indoor / Outdoor
- Commercial
- Residential



Specifications

LED Type	SMD5050
Material	Zinc Alloy
IP Rate	IP65
Beam Angle	90°
Color	WW, NW, CW, Red, Blue, Green
Housing Colors	Silver / Black
Watt	0.4W
Voltage	DC12V
Dimensions	35mm x 35mm



Installation Note:

We recommend Max-Run 30pcs lights on one power supply and one controller.

