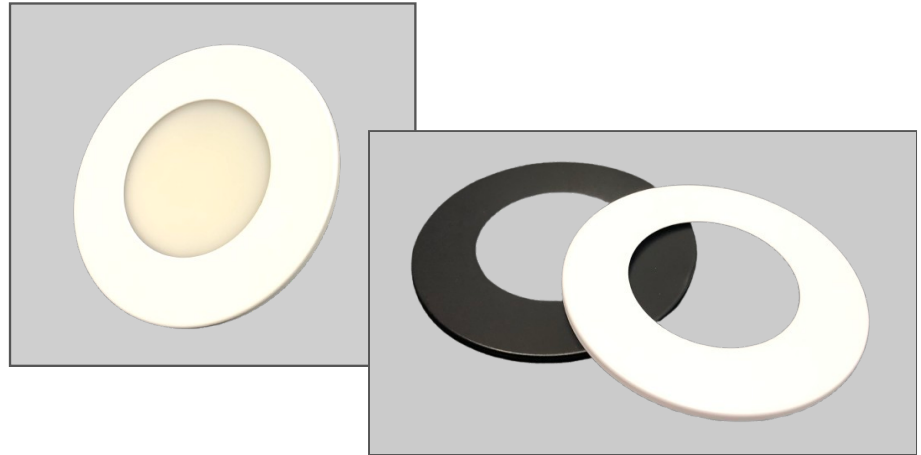


**4" Slim JB Recessed 5CCT**

Model No: D21-LEDJB4-5CCT

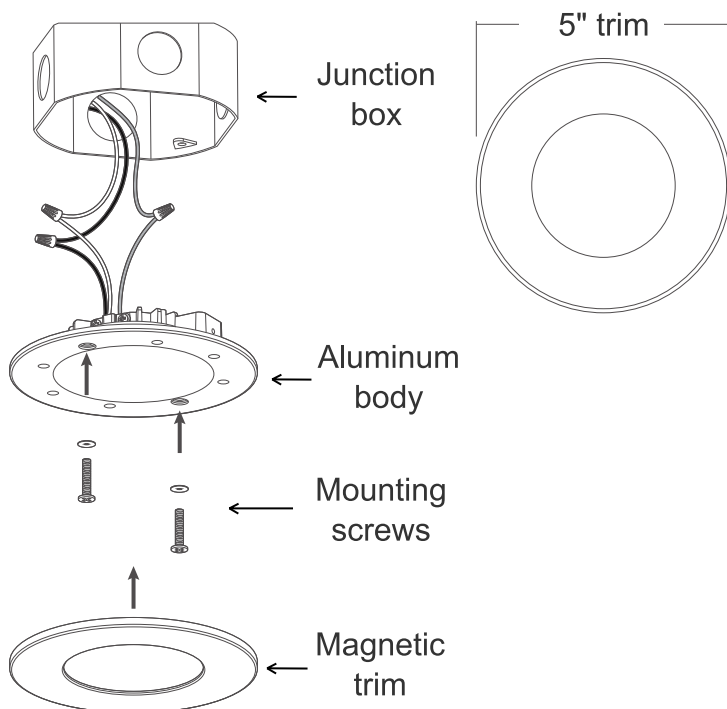


**Features**

- interchangeable magnetic trims featuring two colours: black or white.
- Adjustable CCT between 2700K, 3000K, 4000K, and 5000K.
- Built-in driver with 90mA output and 120VAC input.
- Durable airtight aluminum body, with iron trims.
- Standard octagon junction box mounting.
- Can be placed in wet locations.
- IC rated for direct contact with insulation.
- 100% to 10% dimmable, compatible with industry standard TRIAC/ELV dimmers.



**Installation and Dimension**



Specifications	
CCT (K)	2700, 3000, 3500, 4000, 5000
Lumens	675 lm
Power	9 W
Efficacy	75 lm/W
CRI	80 Ra or 90 Ra
Voltage	120 VAC, 60 Hz
Power Factor	> 0.9
Operating Temp.	-20°C to 40°C
Beam Angle	110°
Trim Finish	Black, White

Package	
Qty/CTN	24 pcs/CTN
Weight	200 g
Box Dimensions	420 mm x 285 mm x 245 mm
Gross Weight	6.5 kg/CTN

**Included in Package**

- 1x Interchangeable magnetic trim.
- 2x JB mounting screws.